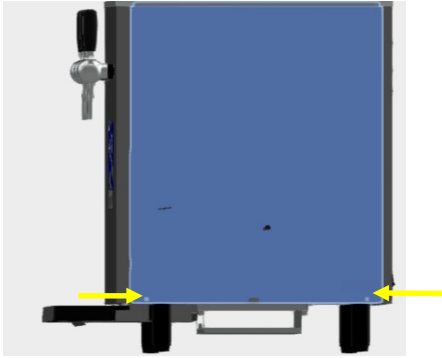


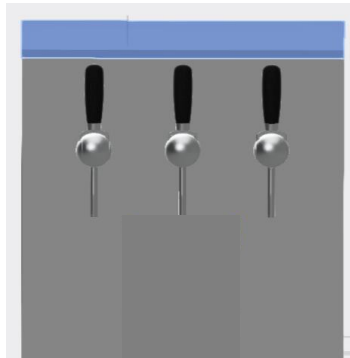
# S18 Countertop

## CARBONATION PUMP REPLACEMENT

Ensure that the dispenser is powered off and unplugged, the water and CO2 are turned off, and all taps are de-pressurized. This ensures that you can safely work on all components of the Dispenser.



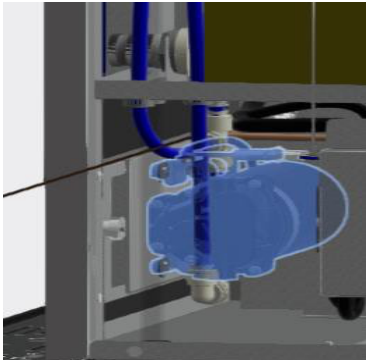
1. Remove two right side panel screws and lift panel off.



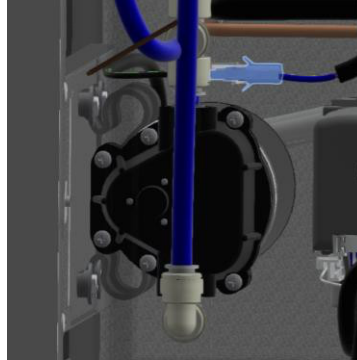
2. Remove dispenser top by lifting up on the front. Remove ground wires underneath lid on back left.



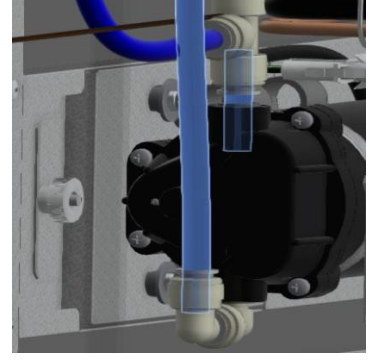
3. Remove Overflow Tube by holding collar to fitting and pulling down on the tube.



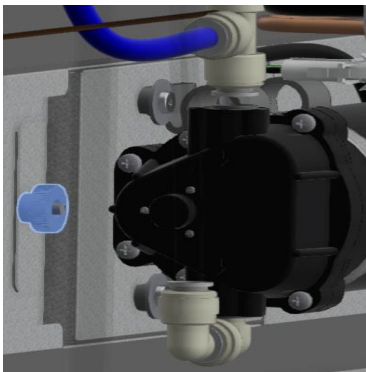
4. Locate carbonation pump behind front panel.



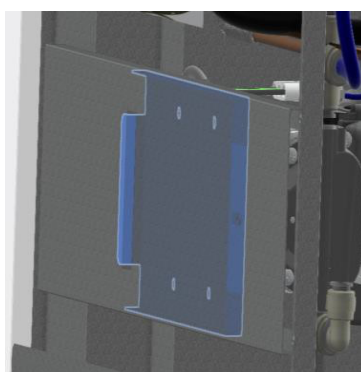
5. Disconnect pump plug.



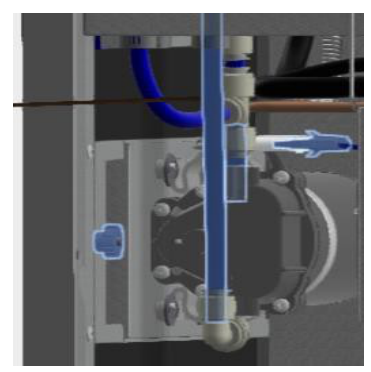
6. Remove Blue John Guest Tubing from each side of Pump.



7. Remove white nylon screw to remove carbonation pump and plate.



8. Remove and replace pump. Plate will slide into groove.



9. Secure pump plate with nylon screw, re-connect tubing, plug in pump, and connect overflow tube. Replace Panels.