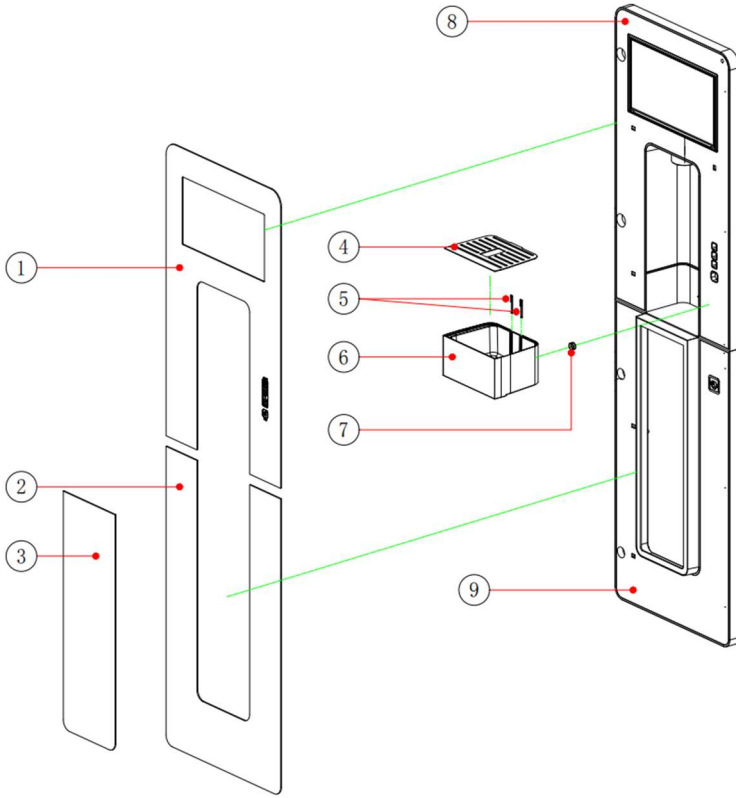
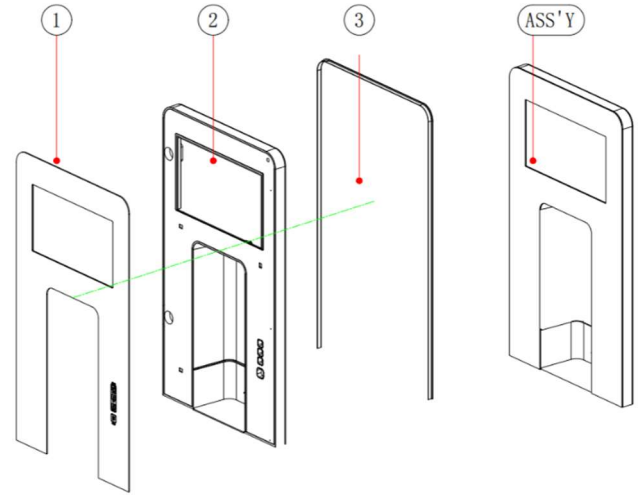


XL1 PARTS LIST

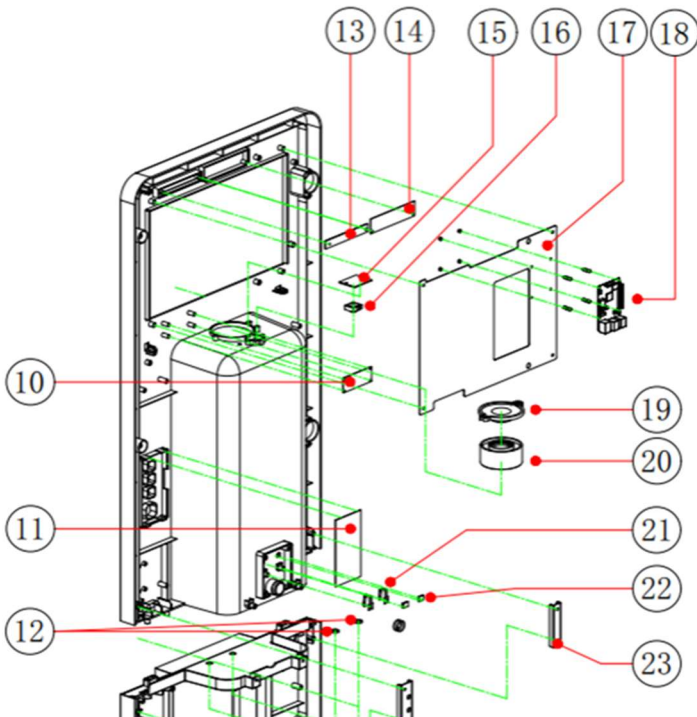
Note: Only stocked parts are listed.



No.	Description	Part #
4+6	Drip Tray Assy (v1 Bottom Drain)	AB156A01
4+6	Drip Tray Assy (v2 Back Drain)	AB156B01
9	Lower Front Panel Assy	AB155A01

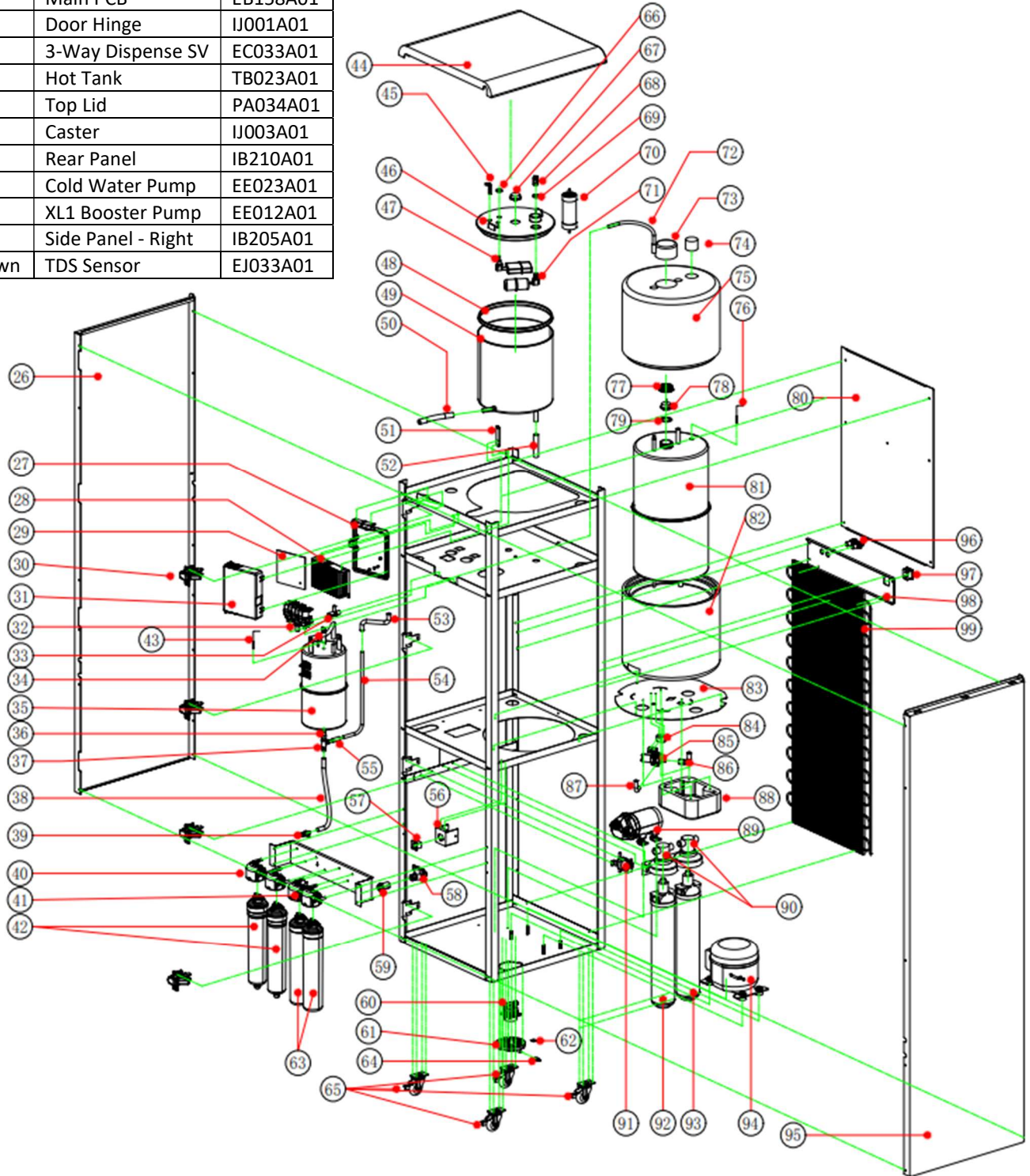


No.	Description	Part #
ASSY	Upper Front Panel Assy (v1 Bottom Drain)	AB154A01
ASSY	Upper Front Panel Assy (v2 Back Drain)	AB154B01



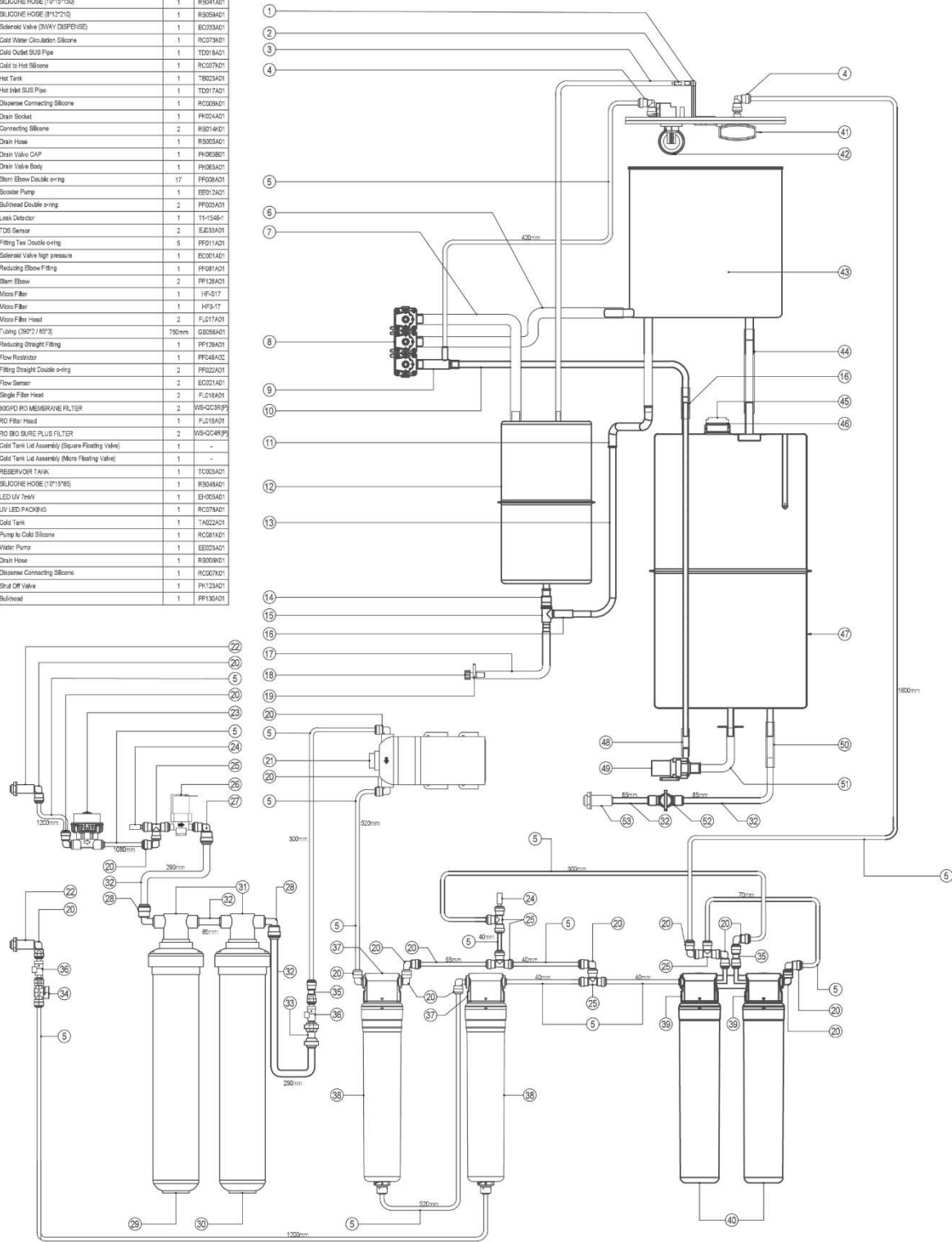
No.	Description	Part #
10	LCD Touch PCB	EB164A01
11	Touch PCB	EB162A01
14	LVDS Converter PCB	EB166A01
15	Dispense LED PCB	EB157A01
18	Raspberry Pi PCB	EB159A01
20	Dispense Cover	PK196A01

No.	Description	Part #
26	Side Panel - Left	IB204A01
28	SMPS	EG048A01
29	Main PCB	EB158A01
30	Door Hinge	IJ001A01
32	3-Way Dispense SV	EC033A01
35	Hot Tank	TB023A01
44	Top Lid	PA034A01
65	Caster	IJ003A01
80	Rear Panel	IB210A01
85	Cold Water Pump	EE023A01
89	XL1 Booster Pump	EE012A01
95	Side Panel - Right	IB205A01
Not Shown	TDS Sensor	EJ033A01

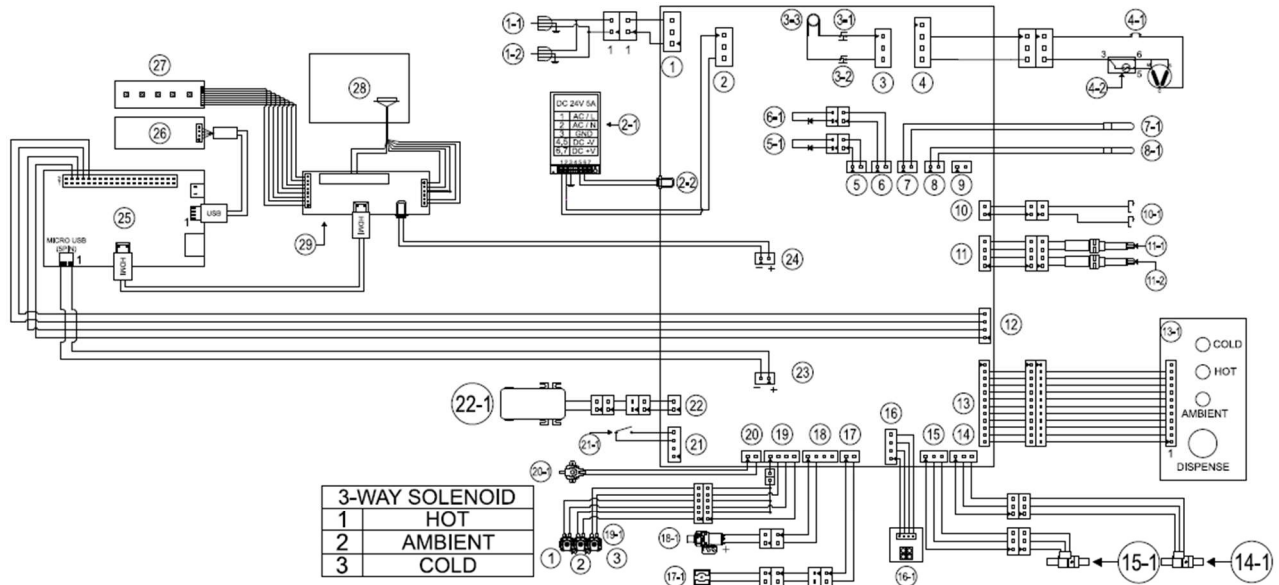


XL1 WATER FLOW DIAGRAM

No.	PART NAME	PART QTY	PART No.
1	Air Purge Nipple	1	FK122AD1
2	Flow Restrictor	1	FR035B01
3	Air Purge Silicone	1	FR024B01
4	Fitting Elbow Double o-ring	3	FR056A01
5	Tubing (3/8" I.D. x 1/2" O.D. x 1/8" W.D. x 1/8" W.D.)	7435	G3026A01
6	SILICONE HOSE (1" I.D. x 1/2")	1	RS041A01
7	SILICONE HOSE (3/4" I.D. x 1/2")	1	RS059A01
8	Solenoid Valve (WAY DISPENSE)	1	EC033A01
9	Cold Water Circulation Silicone	1	RC079B01
10	Cold Outlet SUS Pipe	1	TC001A01
11	Cold to Hot Silicone	1	RC037B01
12	Hot Tank	1	FR023A01
13	Hot Inlet SUS Pipe	1	TC001A01
14	Disinfecting Connecting Silicone	1	RC029B01
15	Drain Cocklet	1	FK023A01
16	Connecting Silicone	2	RS014B01
17	Drain Hose	1	RS005A01
18	Drain Valve CAP	1	FK063B01
19	Drain Valve Body	1	FK063A01
20	Stem Elbow Double o-ring	17	FR028A01
21	Booster Pump	1	EB001A01
22	Subhead Double o-ring	2	FP003A01
23	Leak Detector	1	11-1548-
24	TDS Sensor	2	EC033A01
25	Fitting Tee Double o-ring	5	FP011A01
26	Solenoid Valve high pressure	1	EC031A01
27	Reducing Elbow Fitting	1	FR081A01
28	Stem Elbow	2	FP128A01
29	Micro Filter	1	HF-S17
30	Micro Filter Head	2	FLG17A01
31	Tubing (3/8" I.D. x 1/2")	750mm	G3056A01
32	Reducing Straight Fitting	1	FP128A01
33	Flow Restrictor	1	FR048A02
34	Fitting Straight Double o-ring	2	FP022A01
35	Flow Sensor	2	EC021A01
36	Single Filter Head	2	FLG18A01
37	ROCFD RO MEMBRANE FILTER	2	MS-QC3R01
38	RO Filter Head	1	FLG18A01
39	RO BIO SURE PLUS FILTER	2	MS-QC4R01
40	Cold Tank Lid Assembly (Square Floating Valve)	1	-
41	Cold Tank Lid Assembly (Micro Floating Valve)	1	-
42	RESERVOIR TANK	1	TC005A01
43	SILICONE HOSE (1" I.D. x 1/2")	1	RS045A01
44	LED UV 7W/1	1	RS105A01
45	UV LID PACKING	1	RC027A01
46	Cold Tank	1	FR023A01
47	Pump to Cold Silicone	1	RC011A01
48	Water Pump	1	EB003A01
49	Drain Hose	1	RS009B01
50	Disinfecting Connecting Silicone	1	RC027B01
51	Shut Off Valve	1	FK123A01
52	Subhead	1	FP130A01



XL1 ELECTRICAL DIAGRAM



No.	PART No.	PART NAME.	No.	PART No.	PART NAME.	No.	PART No.	PART NAME.
1	CN 1	AC IN	8	CN 20	HOT-TH	18	CN 9	WATER PUMP
1-1	-	POWER INPUT (AC 120V / 60Hz)	8-1	-	HOT SENSOR	18-1	-	WATER PUMP (COLD)
1-2	-	DRAIN POWER INPUT	9	CN 19	AMBIENT-TH	19	CN 8	DISPENSE S/V
2	CN 24	SMPS IN	10	CN 18	TRAY SENSOR	19-1	-	3-WAY SOLENOID VALVE
2-1	-	SMPS (DC 24V / 5A)	10-1	-	TRAY SENSOR BRACKET	20	CN 7	RO S/V
2-2	-	DC 24V ADAPTOR	11	CN 17	TDS SENSOR	20-1	-	RO SOLENOID VALVE
3	CN 3	HEATER	11-1	-	TDS IN	21	CN 6	MICRO S/W
3-1	-	BIMETAL AUTO 95	11-2	-	TDS OUT	21-1	-	MICRO SWITCH
3-2	-	BIMETAL MANUAL 105	12	CN 16	RASPBERRY PI	22	CN 5	BOOST PUMP
3-3	-	HOT TANK (120V 500W)	13	CN14	TOUCH DISPLAY	22-1	-	BOOST PUMP
4	CN 12	COMPRESSOR	13-1	-	TOUCH PCB	23	CN 15	RASPBERRY PI POWER
4-1	-	OLP	14	CN 13	FLOW SENSOR 2 (RO DRAIN)	24	CN 4	LCD POWER
4-2	-	PTC	14-1	-	FLOW SENSOR (RO DRAIN)	25	-	RASPBERRY PI PCB
5	CN 23	UV LED (RESERVE TANK)	15	CN 12	FLOW SENSOR 1 (RO INLET)	26	-	LCD TOUCH PCB
5-1	-	UV LED (RESERVE TANK)	15-1	-	FLOW SENSOR (RO INLET)	27	-	LCD CONTROLLER PCB
6	CN 22	UV LED (COLD TANK)	16	CN 11	DISPENSE LED	28	-	LCD PCB
6-1	-	UV LED (COLD TANK)	16-1	-	DISPENSE LED PCB	29	-	LVDS CONVERTER PCB
7	CN 21	COLD-TH	17	CN 10	LEAK SENSOR			
7-1	-	COLD SENSOR	17-1	-	LEAK SENSOR PCB			

XL1 CONSTRUCTION

