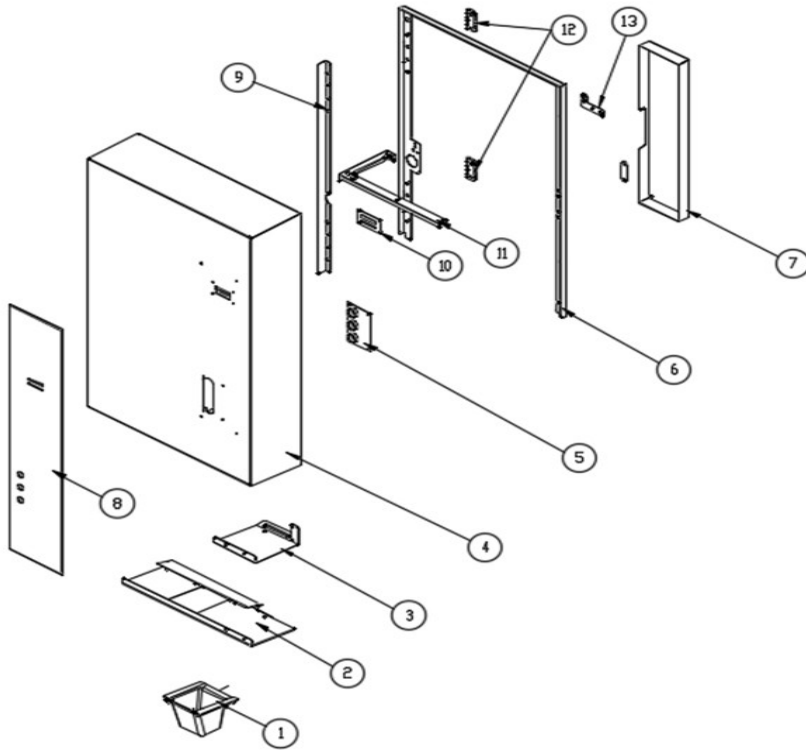
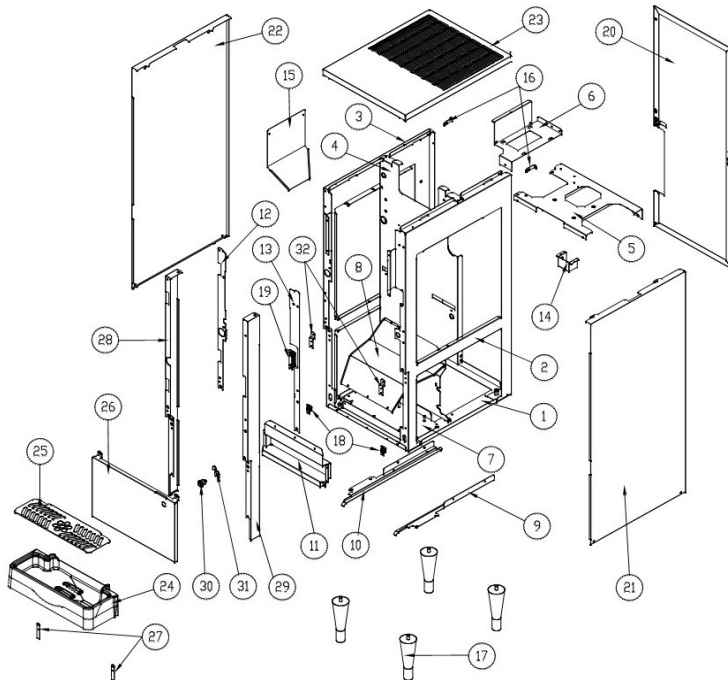


## i30 PARTS DIAGRAM (R404a Version)

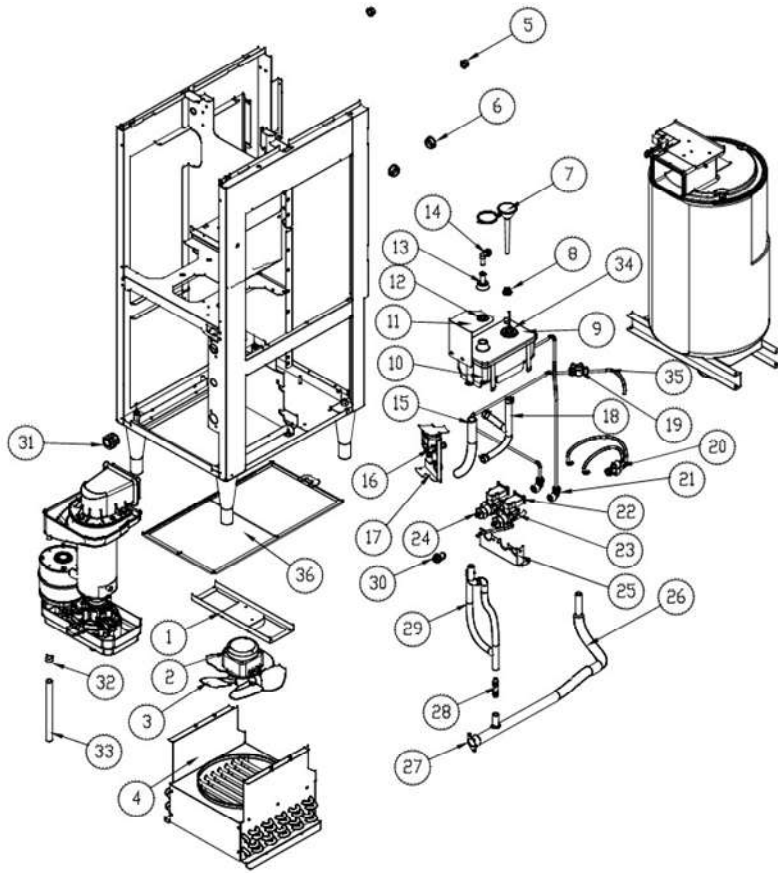


### Recommended Stock Parts

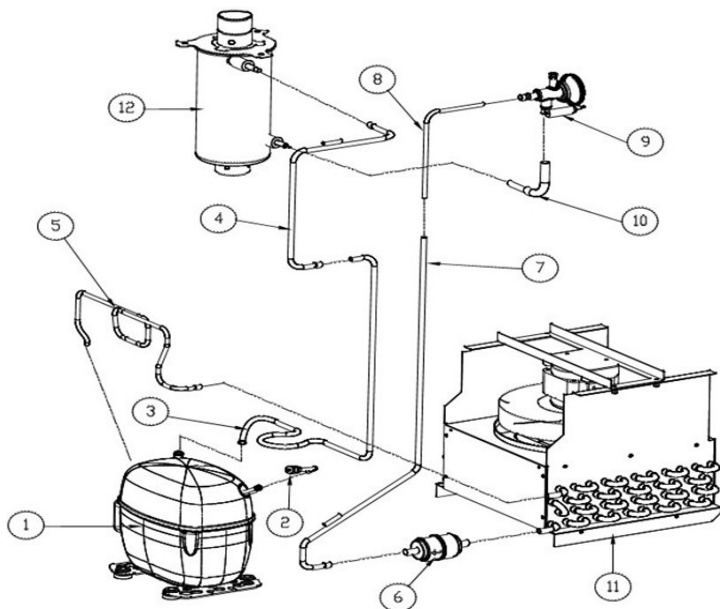
NO	DESCRIPTION	PART #
1	COVER SPOUT	318043201
2	FRONT DOOR BASE D WELD ASSY	301233900
3	LOCKING BASE PLATE	301233301
4	FRONT DOOR	301232801
5	BUTTON PCB	367016800
6	FRONT PANEL BASE	301232600
7	BUTTON PCB COVER	301233101
8	BUTTON DISPLAY	440035001
9	HINGE BKT	301232700
10	LED PCB	367016901
11	HARNESS BKT	301233201
12	YSH HINGE	321007500
13	DOOR REINFORCE PLATE	301235500



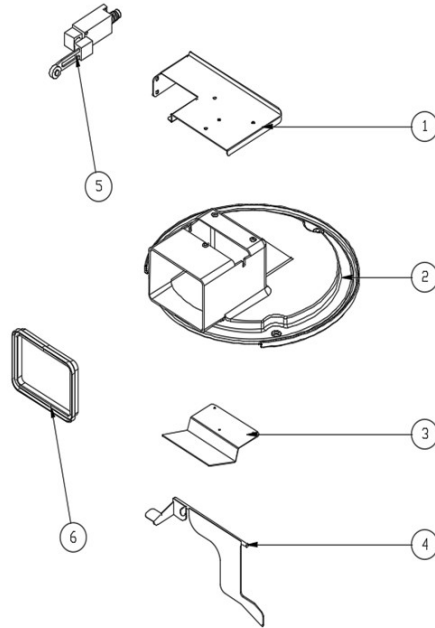
NO	DESCRIPTION	PART #
1	BASE PLATE	332047210
2	RIGHT SIDE ANGLE	332051600
3	LEFT SIDE ANGLE	332051700
4	MIDDLE SIDE ANGLE	332046910
5	BKT AUGER MOTOR ASSY	402058100
6	BKT WATER TANK	301202800
7	BKT COMP ASSY	301204120
8	PLATE DRAIN GUIDE	317233800
9	GUIDE AIR FILTER L	332047410
10	GUIDE AIR FILTER R	332047310
11	BKT TOP DRAIN	301234200
12	SPACER PLATE_L	301232300
13	SPACER PLATE_R	301232200
14	KIOSK PCB BKT	301234500
15	DRAIN GUIDE PLATE	301203500
17	FOOT EXPORT	302006820
18	DOOR LOCK	631000700
19	BKT LOCKING MAGNET	301183150
20	BACK PANEL	301235300
21	PANEL SIDE R	301234000
22	PANEL SIDE L	301234100
23	TOP COVER	317217950
24	DRAIN BOX	336029601
25	DRAIN BOX GRILL	301236100
26	FRONT PANEL DOWN	301233400
27	BKT LOCKING HOOK	301181400
28	FRONT SIDE PANEL_L	301232400
29	FRONT SIDE PANEL_R	301232500
30	LOCKING DEVICE	219003800
31	LOCK PLATE	301178201
32	FRONT PANEL DOWN BKT	301234300



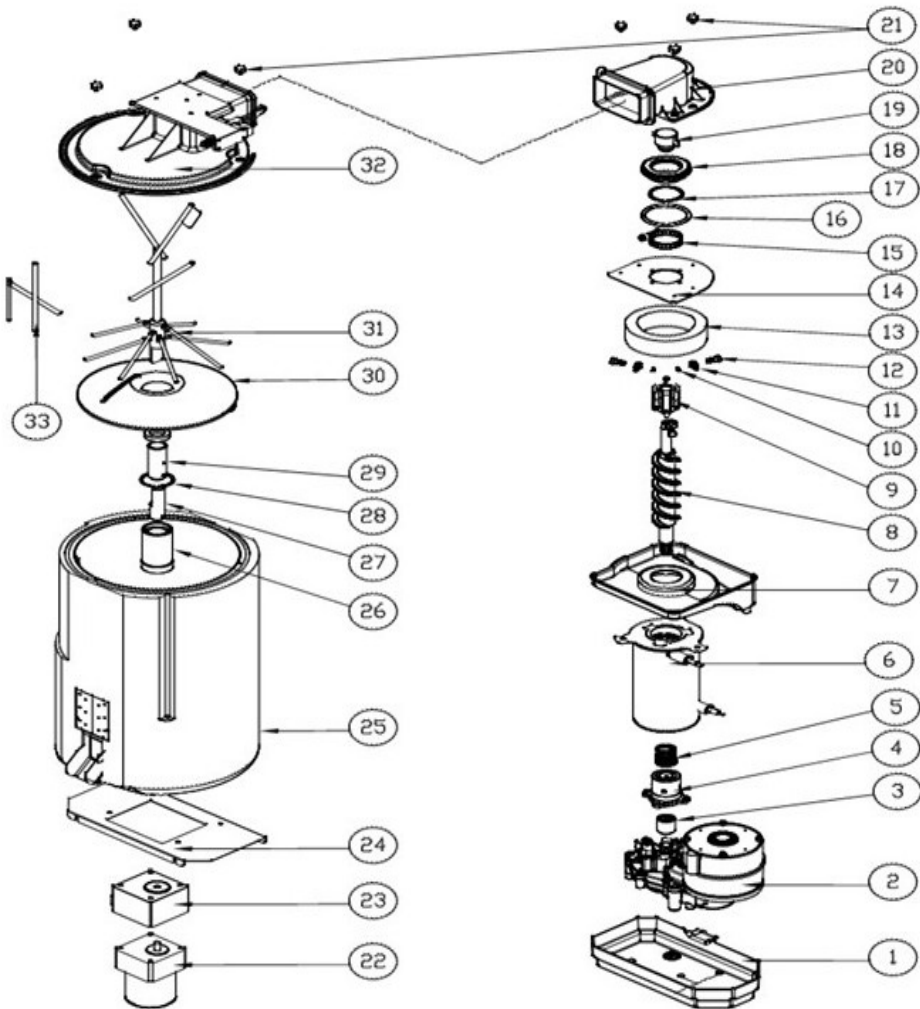
NO	DESCRIPTION	PART #
1	BKT FAN MOTOR	301205600
2	FAN MOTOR/EURO/82UL-4027	353035800
3	FAN	308004700
4	CONDENSER ASSY (115V/60Hz)	411035310
5	GROMMET BUSHING	232003600
6	GROMMET BUSHING	232003500
7	FUNNEL	3180039300
8	FUNNEL PACKING	303037200
9	WATER RESERVOIR COVER	654000301
10	WATER RESERVOIR	654000200
11	BKT WATER TANK COVER	301218300
12	BUSHING(PPIPE)	232004900
13	RESERVOIR INLET	319007801
14	STEM ELBOW	398015000
15	SILICON HOSE	229029500
16	DRAIN VALVE	340029500
17	BKT DRAIN	301202000
18	MULTIPLE WATER HOSE	229033602
19	SPEEDFIT TO SPEEDFIT CONNECTOR	398012410
20	TWO WAY DIVIDER	398019400
21	REDUCING ELBOW	398013700
22	WATER VALVE CAP	319007900
23	WATER VALVE	340029401
24	TAP ADAPTOR	398011600
25	DRAIN V/V BKT	301236700
26	HOSE DRAIN A	229035200
27	SOCKET PT3/4"	215019000
28	NIPPLE	398011401
29	HOSE DRAIN B	229035300
30	BULKHEAD CONNECTOR	398019300
31	CABLE GLAND	227001200
32	BAND SPRING 16	203003200
33	SILICON HOSE	229029400
34	ASSY WATER LEVEL SENSOR	722014501
35	PE TUBE (O.D 1/4")-BLACK	229013610
36	AIR FILTER	640009002



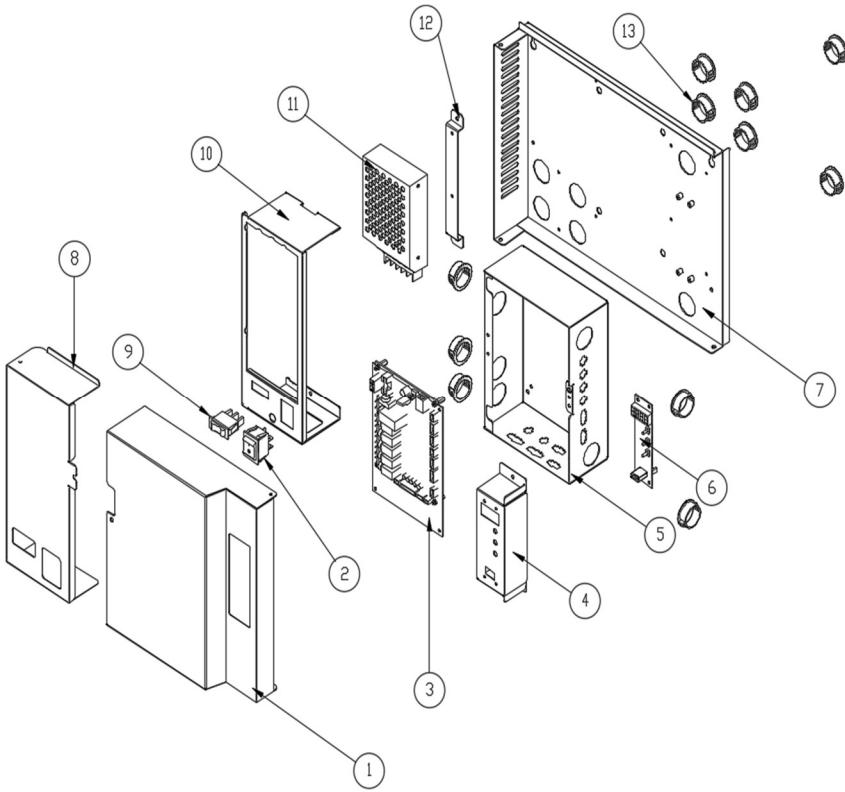
NO	DESCRIPTION	PART #
1	COMP/SC12MLX_OLP	401023000
2	CHARGE NIPPLE ASSY	104002600
4	EVA OUTLET PIPE	325159500
5	DISCHARGE PIPE ASSY (115V/60Hz)	325158610
6	FILTER DRYER	372001300
8	EXPANSION INLET PIPE	325159300
9	EXPANSION VALVE	340004500
10	EXPANSION OUTLET PIPE	325159200
11	CONDENSOR ASSY	411035310
12	EVAPORATOR FORM ASSY	409043812



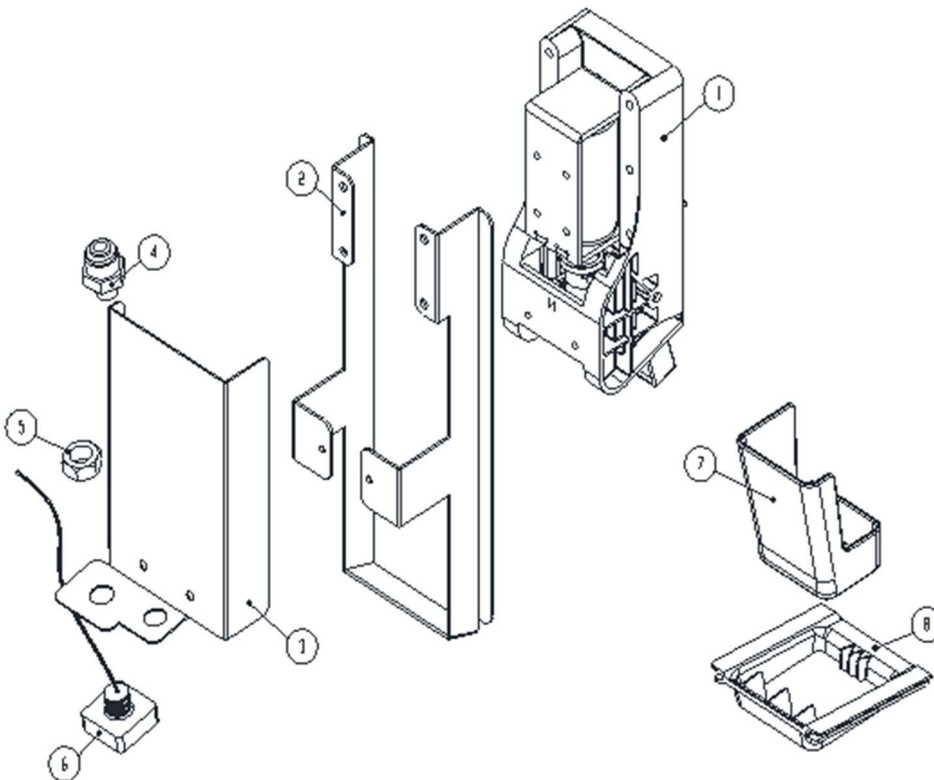
NO	DESCRIPTION	PART #
1	ICE CHUTE COVER	317219001
2	HOPPER COVER	318041401
3	ICE GUIDE PLAT	301226400
4	ACTUATOR SHAFT ASSY	314045001
5	ASSY FULL LIMIT SWITCH	722018610
6	COVER SHUT	303042000



NO	DESCRIPTION	PART #
1	GEAR MOTOR DRAIN PAN	318039150
2	AUGER MOTOR ASSY	406026410
3	SPLINE COUPLING	612000800
4	HOUSING ASSY	491000900
5	MECHANICAL SEAL	303036900
6	EVAPORATOR FORM ASSY	409043812
7	DRIP PAN	604003200
8	AUGER	430005000
9	EXTRUDING HEAD ASSY	491000801
10	O-RING	303032000
11	HEAD LOCKING WASHER	211008000
12	HEX WRENCH BOLT SEMS	210820700
14	FLANGE SPOUT	301199500
15	BAND SPRING 16	203004100
16	PACKING	303041800
17	O-RING	303037500
18	HOLD SPOUT	395007800
19	IMPELLER ICE ASSY	390001510
20	SPOUT	450000600
21	HAND SCREW	210804502
22	AGITATOR MOTOR ASSY	406027613
23	MOTOR COVER PACKING	303039801
24	HOPPER SUPPORT BASE	301202501
25	HOPPER FORM ASSY	442009701
26	BEARING POM	310007300
28	O-RING	303037500
29	MAIN SHAFT TWO	314044700
30	ICE BASE PLATE	610035400
31	AGITATOR ASSY	436003800
32	HOPPER COVER ASSY	420054120
33	MIXING BAR ASSY	436004200



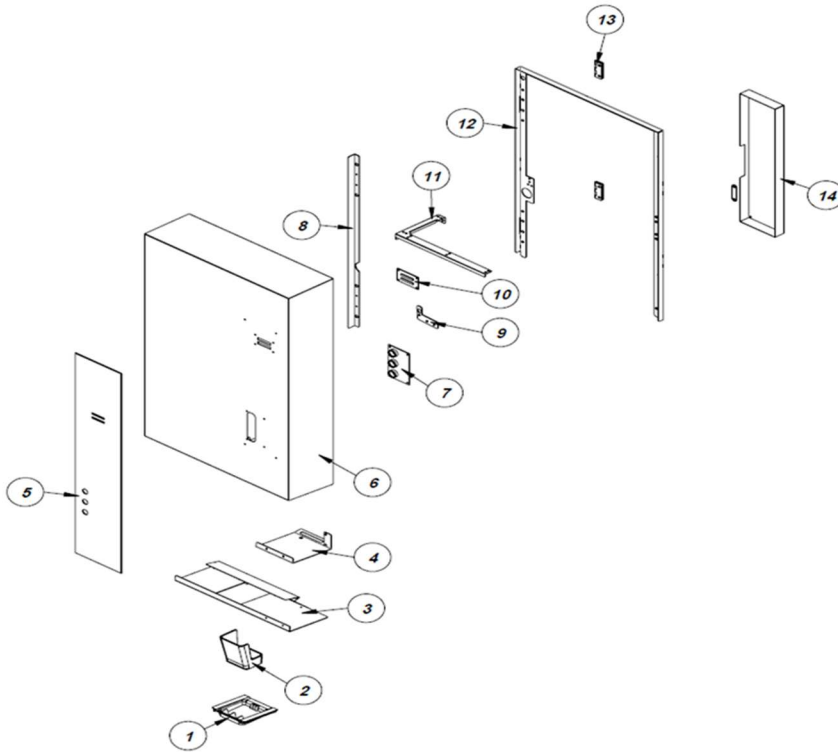
NO	DESCRIPTION	PART #
1	CONTROL BOX COVER	301234700
2	POWER SWITCH	355009800
3	MAIN PCB	415013401
4	FND USB PCB BKT	301235000
5	CONTROL BOX	374152800
6	FND USB PCB	367016700
7	CONTROL BOX BASE	301235100
8	SMPS COVER	301234600
9	IOW SWITCH	355012400
10	SWITCH BKT	301234800
11	SMPS	629001200
12	SMPS BKT	301234900
13	GROMMET BUSHING	232003500



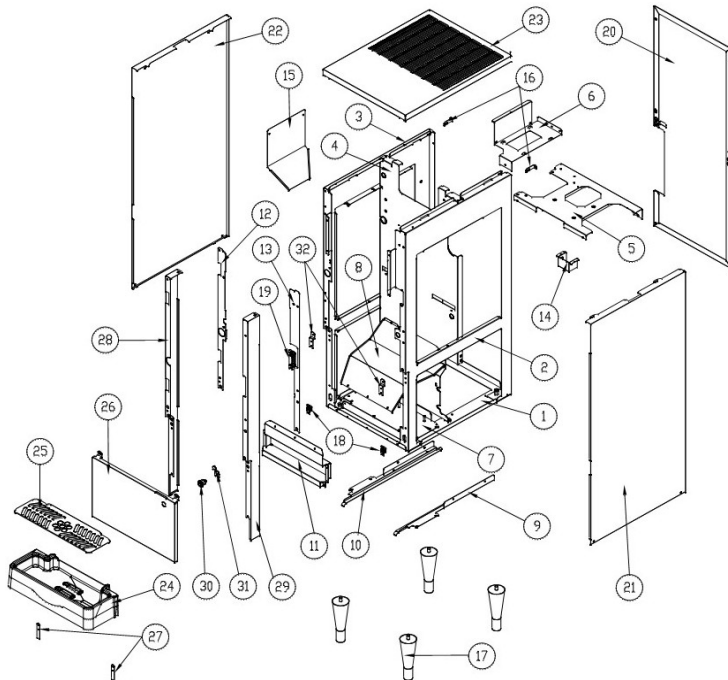
NO	DESCRIPTION	PART #
1	ASSY SHUTTER	427060011
2	WATER GUIDE	301235450
3	BKT UV LED	301236250
4	STRAIGHT ADAPTOR	398013400
5	NUT HEX	215019500
6	UVC WATER PROOF MODULE	500001900
7	SPOUT	318043302
8	COVER SPOUT	318043201

### i30 PARTS DIAGRAM (R290 Version)

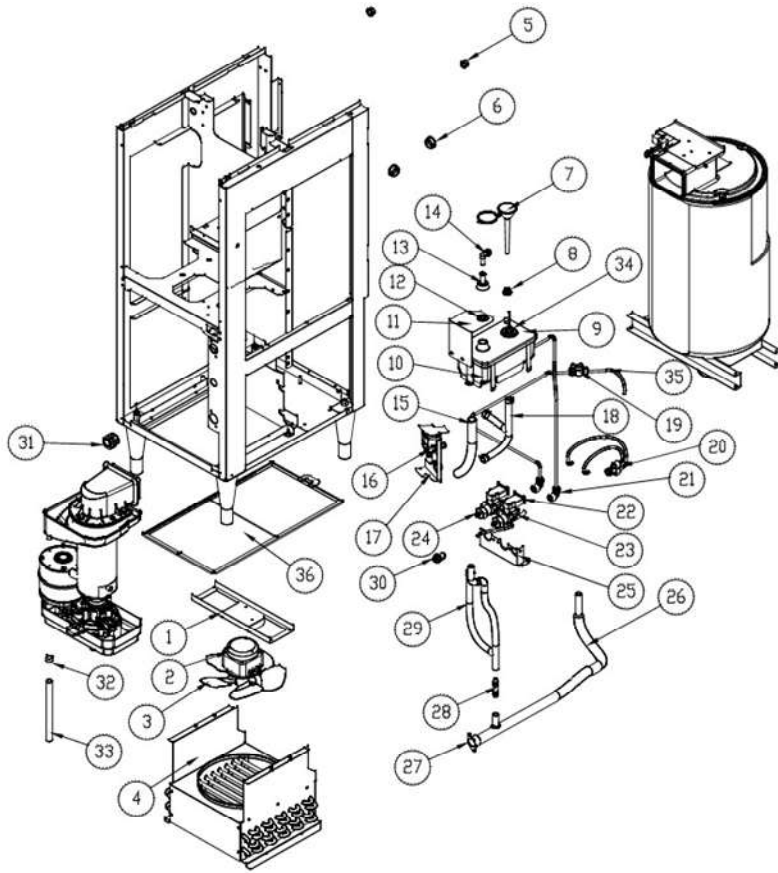
**Recommended Stock Parts**



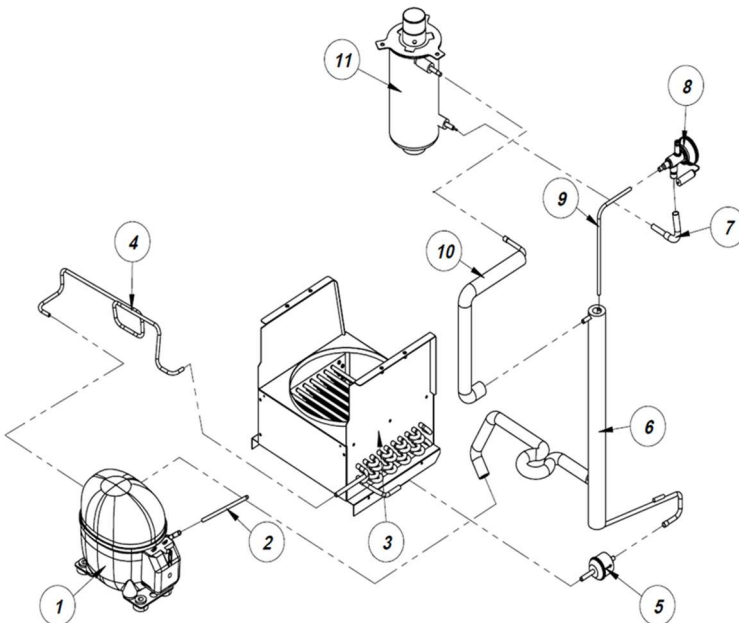
NO	DESCRIPTION	PART #
1	COVER SPOUT	318043201
2	SPOUT	318043302
3	FRONT DOOR BADE D WELD ASSY	301233900
4	LOCKING BASE PLATE	301233301
5	BUTTON DISPLAY	440035001
6	FRONT DOOR WELD ASSY	432053301
7	BUTTON PCB	367016800
8	HINGE BKT	301232700
9	DOOR REINFORCE PLATE	301235500
10	LED PCB	367016901
11	HARNESS BKT	301233201
12	FRONT PANEL BASE	301232600
13	YSH HINGE	321007500
14	BUTTON PCB COVER	301233101



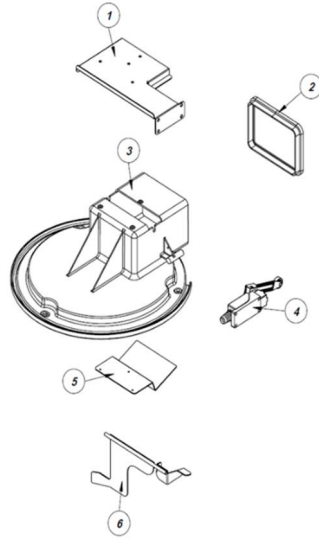
NO	DESCRIPTION	PART #
1	BASE PLATE	332047221
2	RIGHT SIDE ANGLE	332051600
3	LEFT SIDE ANGLE	332051700
4	MIDDLE SIDE ANGLE	332046921
5	AUGER MOTOR BKT ASS'Y	402058100
6	BKT WATER TANK	301202800
7	BKT COMP ASSY	301204131
8	PLATE DRAIN GUIDE	317233800
9	GUIDE AIR FILTER L	332047420
10	GUIDE AIR FILTER R	332047320
11	BKT TOP DRAIN	301234200
12	SPACER PLATE_L	301232300
13	SPACER PLATE_R	301232200
14	KIOSK PCB BKT	301234500
15	DRAIN GUIDE PLATE	301203500
16	TOP COVER BKT	301236300
17	FOOT EXPORT	302006820
18	DOOR LOCK	631000700
19	BKT LOCKING MAGNET	301183150
20	BACK PANEL	301235300
21	PANEL SIDE R	301234000
22	PANEL SIDE L	301234100
23	TOP COVER	317217950
24	DRAIN BOX	336029601
25	DRAIN BOX GRILL	301236150
26	FRONT PANEL DOWN	301233400
27	BKT LOCKING HOOK	301181400
28	FRONT SIDE PANEL_L	301232400
29	FRONT SIDE PANEL_R	301232500
30	LOCKING DEVICE	219003800
31	LOCK PLATE	301178201
32	FRONT PANEL LOWER BKT	301234300



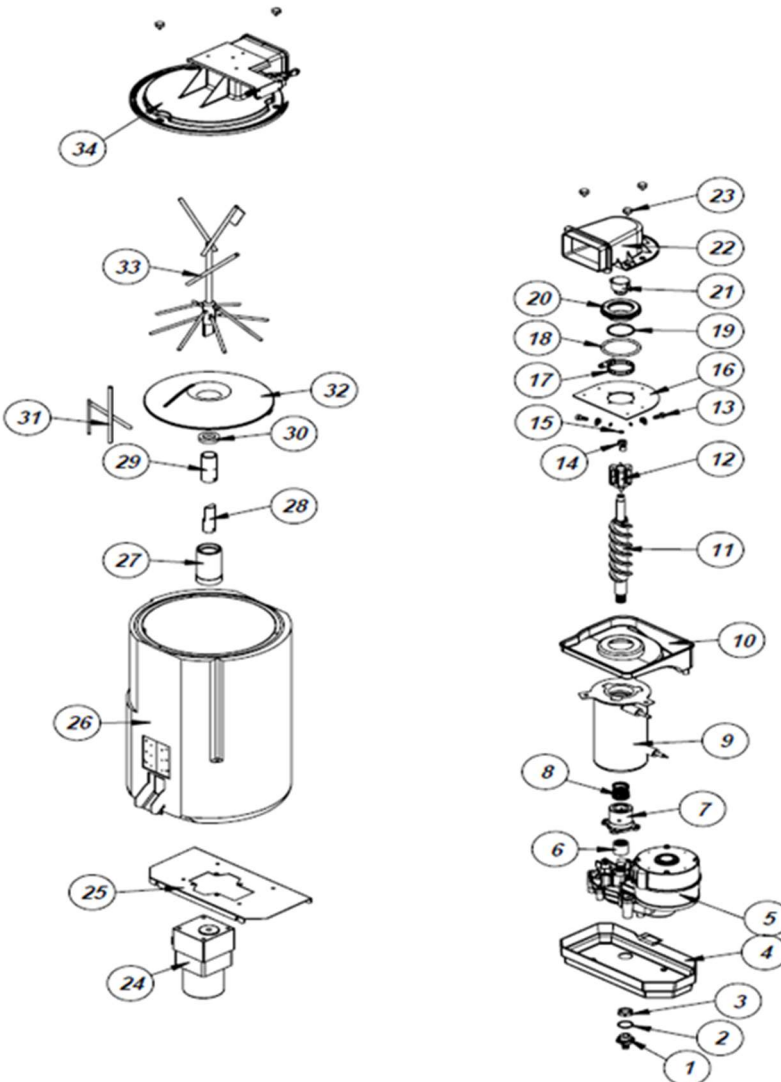
NO	DESCRIPTION	PART #
1	BKT FAN MOTOR	301205600
2	FAN MOTOR/EURO/82UL-4027	353035800
3	FAN	308004700
4	CONDENSER ASSY (115V/60Hz)	411035320
5	GROMMET BUSHING	232003600
6	GROMMET BUSHING	232003500
7	FUNNEL	318039300
8	FUNNEL PACKING	303037200
9	WATER RESERVOIR COVER	654000301
10	WATER RESERVOIR	654000200
11	BKT WATER TANK COVER	301218300
12	BUSHING(PIPE)	232004900
13	RESERVOIR INLET	319007801
14	STEM ELBOW	398015000
15	SILICON HOSE	229029500
16	DRAIN VALVE	340035100
17	BKT DRAIN	301253601
18	MULTIPLE WATER HOSE	229033602
19	SPEEDFIT TO SPEEDFIT CONNECTOR	398012410
20	Unequal Divider	398019400
21	REDUCING ELBOW	398013700
22	WATER VALVE CAP	319007900
23	WATER VALVE	340029401
24	TAP ADAPTOR	398011600
25	DRAIN V/V BKT	301236700
26	HOSE DRAIN A	229035200
27	SOCKET PT3/4"	215019000
28	NIPPLE	398011401
29	HOSE DRAIN B	229035300
30	BULKHEAD CONNECTOR	398019300
31	CABLE GLAND	227001200
32	BAND SPRING 16	203003200
33	SILICON HOSE	229029400
34	ASSY WATER LEVEL SENSOR	722014501
35	PE TUBE (O.D 1/4")-BLACK	229013610
36	AIR FILTER	640009002



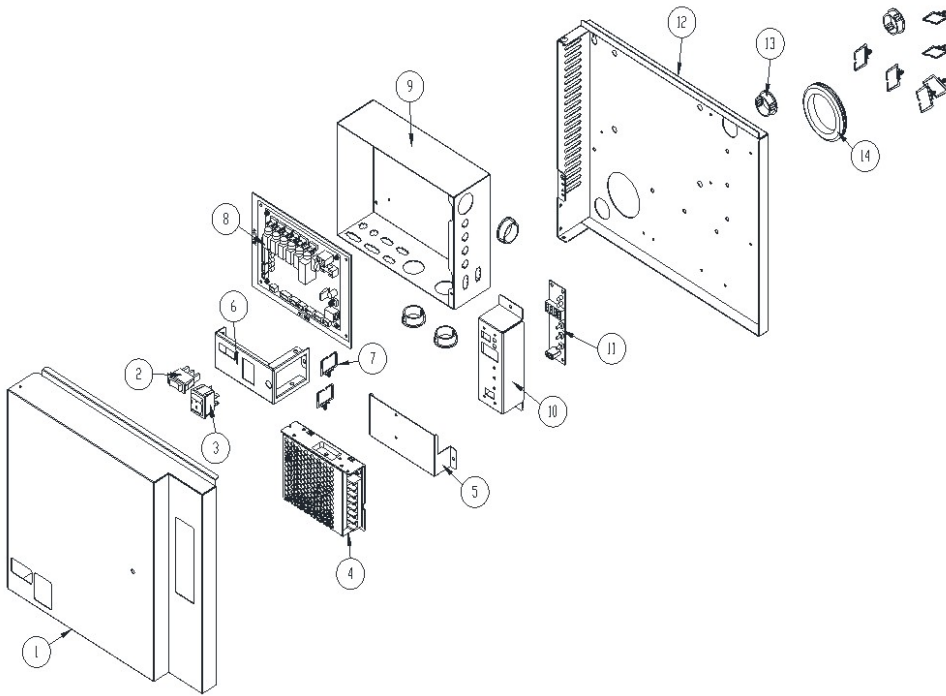
NO	DESCRIPTION	PART #
1	COMP/NEU6214U	394025500
2	CHARGE NIPPLE-Ø6.35xL180	104002600
3	CONDENSER ASSY	411035320
4	DISCHARGE PIPE ASSY	325158620
5	FILTER DRYER	372001610
6	SUCTION PIPE ASSY	325158920
7	EXPANSION OUTLET PIPE	325159210
8	EXPANSION VALVE	340034200
9	EXPANSION INLET PIPE	325159310
10	EVA OUTLET PIPE (R-290)	325159510
11	EVAPORATOR FORM ASSY	409044310



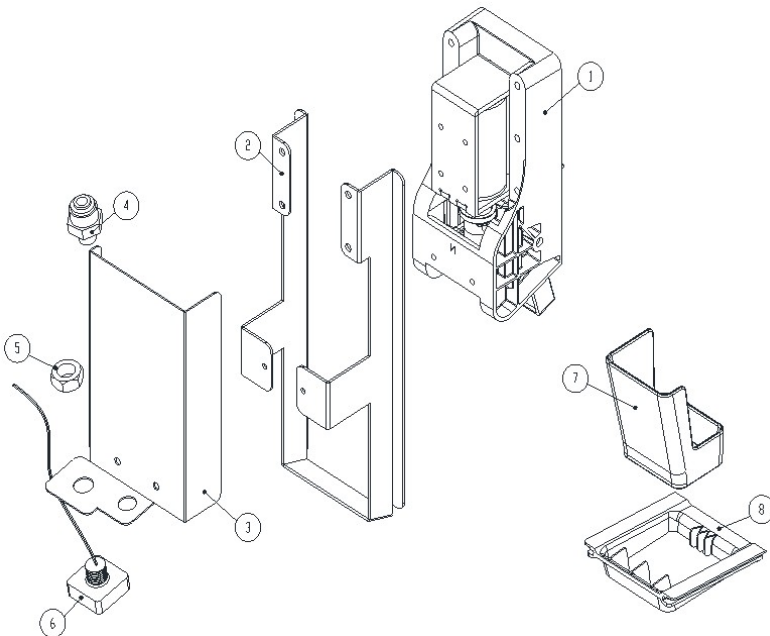
NO	DESCRIPTION	PART #
1	ICE CHUTE COVER	317219001
2	COVER SHUT	303042000
3	HOPPER COVER	318041401
4	ASSY FULL LIMIT SWITCH	722018610
5	ICE GUIDE PLATE	301226400
6	ACTUATOR SHAFT ASSY	610035601



NO	DESCRIPTION	PART #
1	HOSE NIPPLE (PACKING)	215021000
2	O-RING (AN-120)	303044600
3	VESSEL NUT	215020000
4	GEAR MOTOR DRAIN PAN	610035750
5	AUGER MOTOR ASSY	406026410
6	SPLINE COUPLING	612000800
7	HOUSING ASSY	491000900
8	MECHANICAL SEAL	303036900
9	EVAPORATOR ASSY	409044310
10	DRIP PAN	604003200
11	AUGER	430005000
12	EXTRUDING HEAD ASSY	491000801
13	HEX WRENCH BOLT SEMS	210820700
14	HEAD LOCKING WASHER	443062601
15	O-RING NBR	303032000
16	FLANGE SPOUT	301199500
17	HOSE CLAMP 2"	229026710
18	PACKING	303041800
19	O-RING	303037500
20	HOLD SPOUT	395007800
21	IMPELLER ICE ASSY	390001510
22	SPOUT	450000600
23	HAND SCREW(BLACK)	210804502
24	AGITATOR MOTOR ASSY	406027613
25	HOPPER SUPPORT BASE	301202501
26	HOPPER ASSY	442009900
27	BEARING POM	310007300
28	MAIN SHAFT ONE	314044600
29	MAIN SHAFT TWO	314044700
30	REDENAR	379003700
31	MIXING BAR ASSY	436004200
32	ICE BASE PLATE	610035400
33	AGITATOR ASSY	436003800
34	HOPPER COVER ASSY	420054120

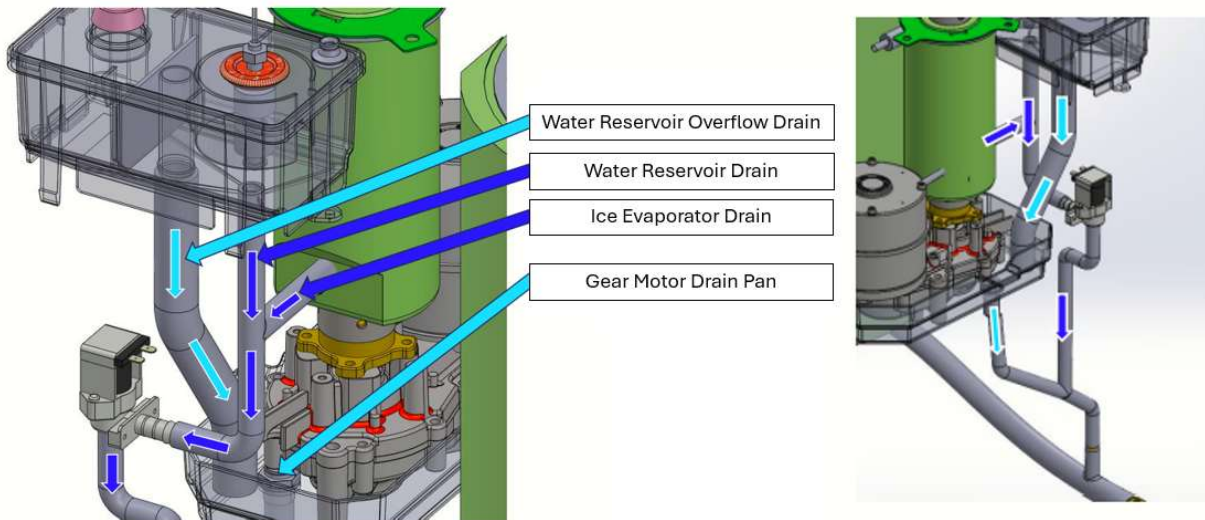
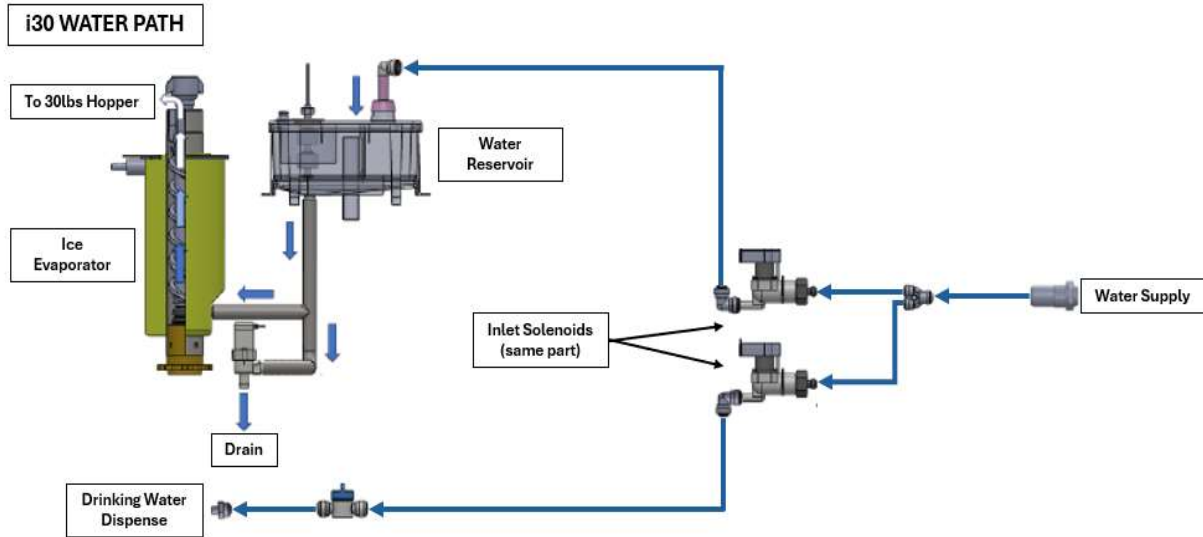


NO	DESCRIPTION	PART #
1	CONTROL BOX COVER	301234711
2	IOW SWITCH	355009800
3	POWER SWITCH	355012400
4	SMPS	629001700
5	SMPS BKT	301234911
6	SWITCH BKT	301234810
7	WIRE SADDLE	209000700
8	ASSY MAIN PCB	415013600
9	CONTROL BOX	374152811
10	FND USB PCB BKT	301235011
11	ASSY FND USB PCB	415012900
12	CONTROL BOX BASE	301235110
13	GROMMET BUSHING	232003500
14	BUSHING	232005900



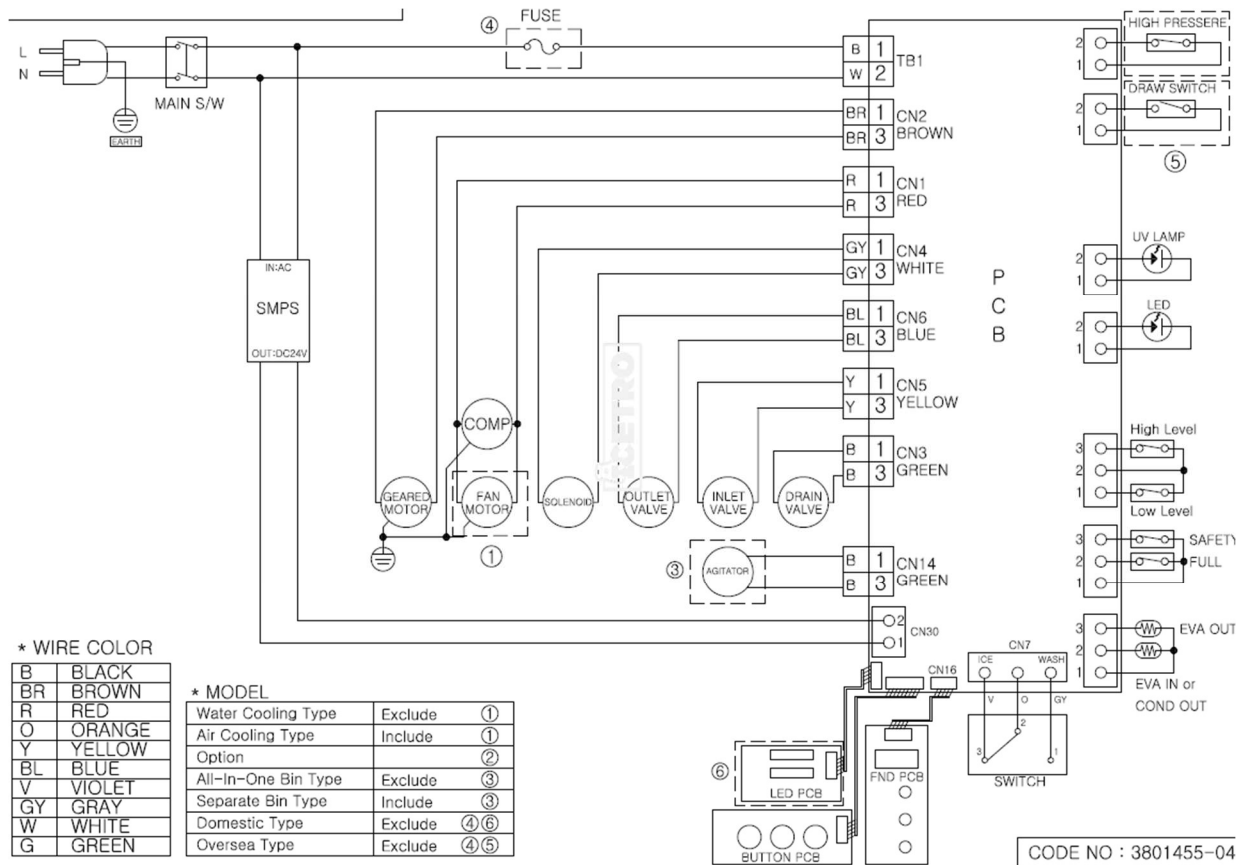
NO	DESCRIPTION	PART #
1	ASSY SHUTTER	427060011
2	WATER GUIDE	301235450
3	BKT UV LED	301236250
4	STRAIGHT ADAPTOR	398013400
5	NUT HEX	215019500
6	UVC WATER PROOF MODULE	500001900
7	SPOUT	318043302
8	COVER SPOUT	318043201

**i30 WATER FLOW DIAGRAM**



## i30 ELECTRICAL DIAGRAM (R404a Version)

**⚠ DANGER!** HIGH VOLTAGE ELECTRICAL HAZARD. PCB (Printed Circuit Board) contains High Voltage. Only trained and qualified technicians should attempt live testing.



## i30 ELECTRICAL DIAGRAM (R290 Version)

**⚠ DANGER!** HIGH VOLTAGE ELECTRICAL HAZARD. PCB (Printed Circuit Board) contains High Voltage. Only trained and qualified technicians should attempt live testing.

