

## SANITIZING

Sanitize using a Household Bleach (5.25% Sodium Hypochlorite solution) or other approved cleaner throughout the cold and sparkling water circuits. Follow all instructions on sanitizing and flush with fresh water through the faucet until odor and taste is acceptable.

**⚠️ WARNING! USE PROPER PERSONAL PROTECTIVE EQUIPMENT**

*Always ensure proper ventilation and use proper personal protective equipment such as gloves and eye protection when using chemicals. Refer to Material Safety Data Sheet for specific requirements of each chemical product. Take all necessary precautions to prevent sanitizer from contacting eyes, clothing, and any other surfaces in could damage (carpets).*

**⚠️ DANGER! ELECTRICAL SHOCK HAZARD.**

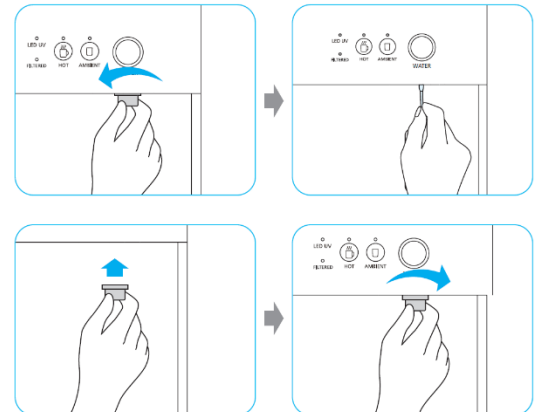
*Do not plug in unit unless qualified. Only qualified personnel who have read and understand this entire manual should attempt to install or service this unit.*



**⚠️ CAUTION! NEVER TURN ON HEATER BEFORE FILLING HOT TANK.**

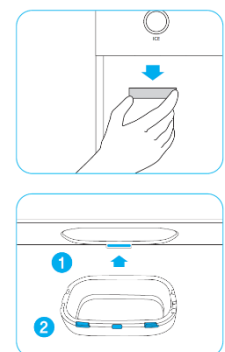
### Water Dispensing Spout Cleaning Method

1. Turn the water dispense faucet to the left.
2. Wipe the inside of the faucet with a soft cloth and cleaning agent. DO NOT use detergents, thinners, benzene, or wax for cleaning. This may cause discoloration or peeling off and may cause health problems.
3. After cleaning, assemble the water dispense spout back by turning it to the right.



### Ice Dispense Spout Cleaning Method

1. Pull down the ice dispense spout to disassemble it from the unit.
2. Clean the spout with a soft cloth and cleaning agent. After cleaning, put the spout cap back on the spout.
3. Insert the hook into the hole and push the spout upward. Make sure the front three hooks are properly inserted into the unit.



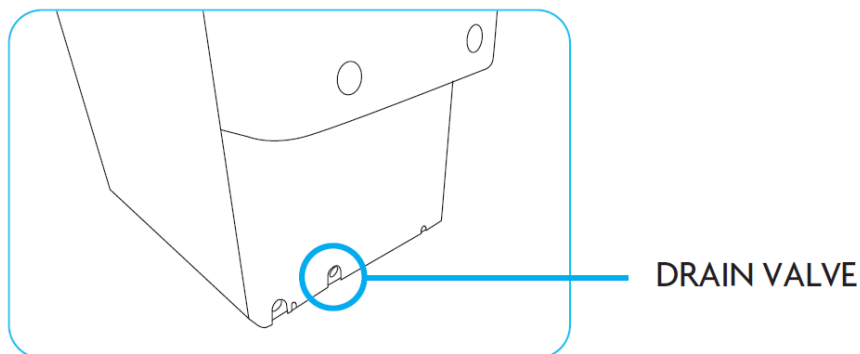
## Ice Bin Cleaning

### Preparation:

- Prepare a cleaning solution by mixing 0.2L of cleaning agent with 4L of clean water.
- Prepare additional 4L of clean water for rinsing operation
- Prepare a soft cloth and sanitary gloves.

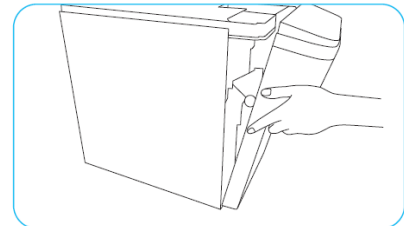
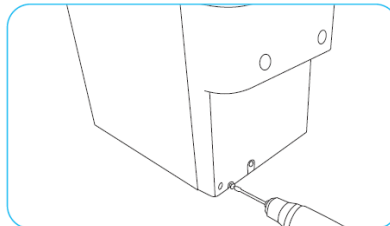
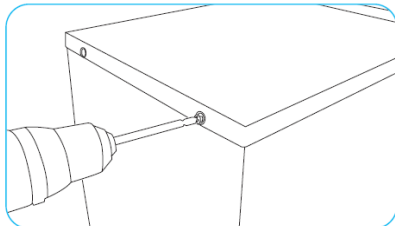
### STEP 1: Draining the water and ice

1. Turn off the Hot Water Switch located at the rear of the unit.
2. Shut off the water supply valve, so that no water can come into the unit.
3. Empty completely all ice from the system using the Ice Dispense Button.
4. Empty completely all water from the Reservoir Tank using the Water Dispense Button.  
\*Do NOT drain the Hot Water
5. Connect the drain hose to the Drain Valve (located at the bottom & front side), and then proceed to drain remaining water. Once completed, remove the drain hose.



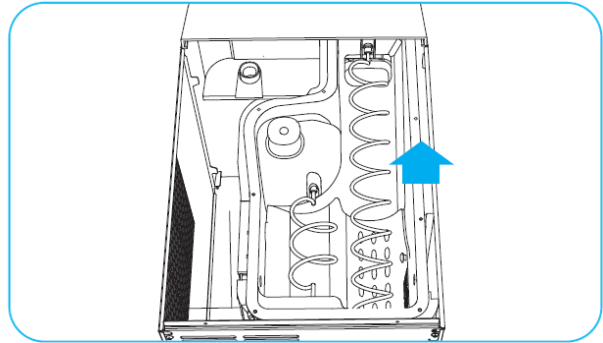
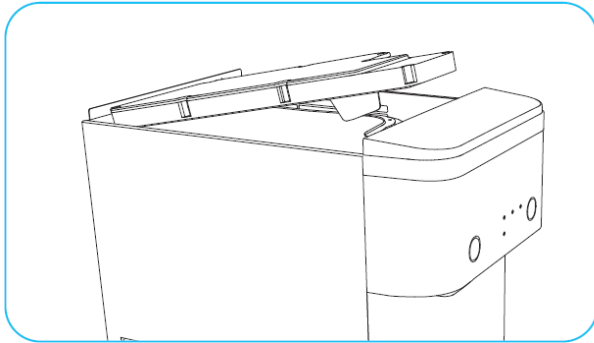
### STEP 2: Disassembling the unit

6. Remove the Water Tray and remove the Top Cover & Front Cover by loosening the fixing screws. Set aside the front cover (\*Be mindful of the wire that is attached)



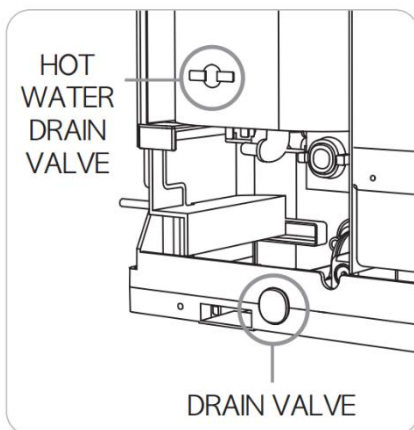
7. Remove the Ice Tank Cover by loosening the fixing screws, and then remove 2 augers by pulling them upward, take care not to lose the caps of the augers. (During the re-assembling of spirals, please pay attention to the shape of the joint).

- Remove the White Ice Holding Basket from the unit and hand wash.



### STEP 3: Descaling Operation

- Pour prepared Cleaning Solution into the Ice Tank. **\*Be careful not to overflow the solution through the ice door or fill to the Air Filter Connection port.**
- Enter the “Cleaning Mode” by pressing the Hot Water Selection Button for 5 seconds.
- Wait 30 minutes to remove the scale.
  - \*The “Cleaning Mode” will automatically stop after 30 minutes, but will stay idle on the “Cleaning Mode.”**
  - \*For a unit that has not had the scale removal operation performed for more than 6 months, or the product has been excessively used then it is recommended to wash for 60 minutes.**
- Connect the drain hose to the Drain Valve (located at the bottom and front side), and then proceed to drain completely all cleaning solution. Once completed, remove the drain hose.
- Open the Pink Hot Water Drain Valve Cap and connect the drain hose to the Hot Water Drain Valve, and then proceed to drain completely all cleaning solution. Once completed, remove the drain hose and replace the Pink Hot Water Drain Valve Cap to its original location.



#### STEP 4: Rinsing Operation

14. Spray the inside of the tank with hydrogen peroxide (HO) and wipe out a clean paper towel. HO should be approximately 20% HO to 80% water blend.
15. Pour 4L of clean water into the Ice Tank for rinsing operation.
16. Exit the “Cleaning Mode” by pressing the Hot Water Selection Button for 5 seconds.
17. Re-enter the “Cleaning Mode” by pressing the Hot Water Selection Button for 5 seconds (for Rinsing Operation). **\*Caution: Ice making operation starts 5 minutes after exiting “Cleaning Mode,” so it is important to re-enter “Cleaning Mode” within 5 minutes to prevent any ice-making during the sanitizing process.**
18. Run the rinsing operation for 5-10minutes, then drain the water through the Drain Valve and Hot Water Drain Valve. **\*In the case that the dispensed water has an unusual taste or odor, it is recommended to repeat the rinsing operation again.**
19. Exit the “Cleaning Mode” by pressing the Hot Water Selection Button for 5 seconds.

#### STEP 5: Cleaning the Reservoir Tank

20. Clean the Reservoir Tank with a clean, soft cloth.

#### STEP 6: Product Re-Assembly

21. Attach the White Ice Holding Basket and reinstall the 2 augers to original location. **\*Make sure to insert the tips of the spiral tightly into the fastening groove.**
22. Assemble the Ice Tank cover and Front Cover and open the water supply valve to feed water to the unit.
23. Ensure that the unit is making ice and dispensing ambient water.
24. Verify that water is dispensing from the hot tank before turning the Hot Tank Switch back on. If water does dispense from the Hot Tank, turn the Hot Tank Switch on.
25. Assemble the Top Cover and Water Tray.



### STEP 7: Operation Check

1. Is the water dispensing smoothly as before?
2. Is the ice-making operation active after 3 minutes?

### STEP 8: Cleaning Checkpoints

1. Wash your hands first and put on sanitary gloves. Clean up the tank with soft cloth or dry cleaner.
2. Properly dispose of used cleaner, sanitary gloves, etc. after cleaning.
3. Make sure tank cover is closed firmly and is installed properly.
4. Clean up the tank regularly every 6 months to a year.